









**NH-EA010**  
**設置マニュアル**

---

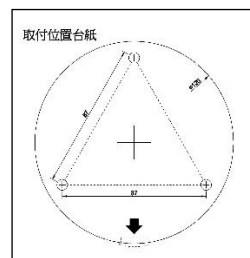
 **WARNING**

 	<p><b>WARNING</b></p> <p>To reduce the risks of an electric shock, do not expose inside of this unit to rain or moisture. Installation on a rainy day may also cause fog around the capsule.</p>
	<p><b>Installation</b></p> <p>Installation shall be done by qualified installer only and should conform to all local codes.</p>
	<p><b>Ensuring strength of supporting Dome Housing Unit</b></p> <p>The unit must be properly and securely mounted to a supporting structure capable of sustaining the weight of the unit. Recommend use 3/8" stainless screws x four (4).</p>
	<p><b>Prohibit changes or modifications of equipment</b></p> <p>You are cautioned that any changes or modifications not expressly approved in these instructions could void your authority to operate this equipment.</p>
	<p><b>Basic Operating Environment Condition</b></p> <p>We provide warranty for the products that are installed under normal outdoor -20°C ~ +50°C conditions. We are unable to provide warranty for the products which are installed indoor and exposed to constant high temperature over +50°C and over 90% humidity. Operating temperature and humidity of camera varies from camera to camera. You are requested to confirm to camera specification with camera manufacturer and housing specification with us in advance. i.e. -20°C or below, you are requested to use additional heater and +50°C or above you are requested to use two blowers and Sunshield.</p>
	<p><b>Fasten wires tightly.</b></p> <p><b>Attention:</b></p> <p>Keep wires away from the Fan / Heater, and do not disturb Fan/Heater's performance</p>

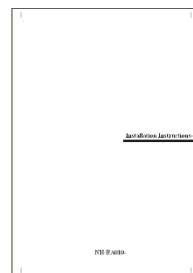
# 付属品の確認



ブラケット・ハウジング本体×1



取付位置台紙×1



取扱説明書×1



防水キャップ×1



MATOI 固定用ねじ M4\*10\*4



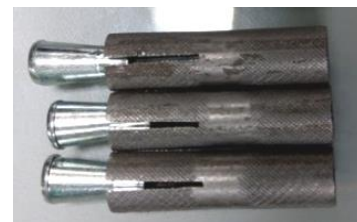
No. 2、3、4、5 六角レンチ×1



1/4" \*1 1/2" 壁面取付ねじ×3



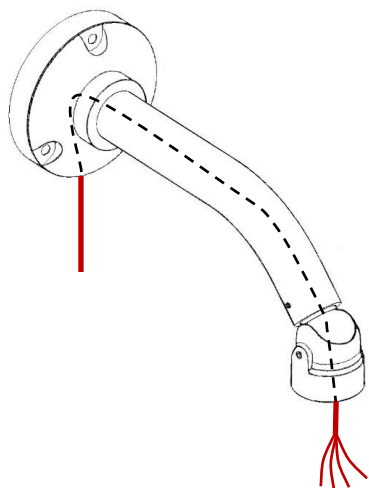
1/4" ワッシャー×3



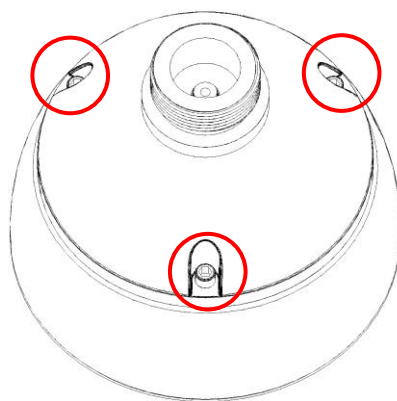
1/4" アンカー×3

※本製品に、MATOI は付属されておられません。

# 組み立て手順 1



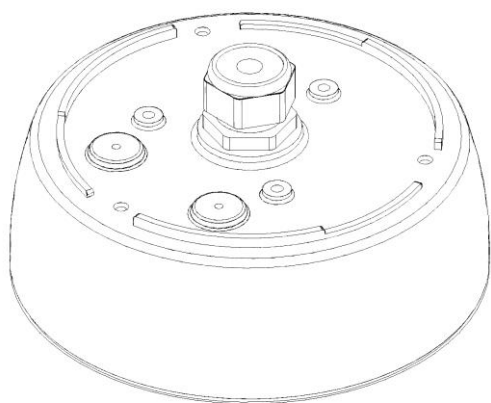
【配線式のみ】



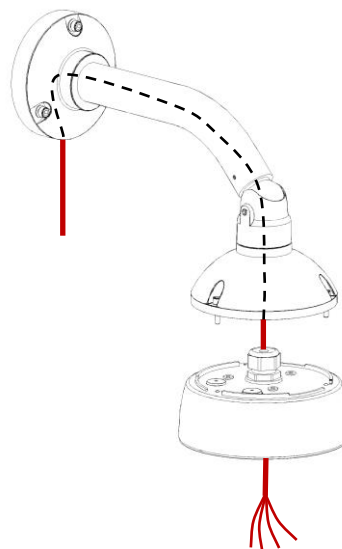
1. ブラケット取付部を組み立てます。  
Matoi 配線式を設置する場合は配線を通します。

2. ハウジング上部の六角ボルト三本を外します。

【配線式のみ】

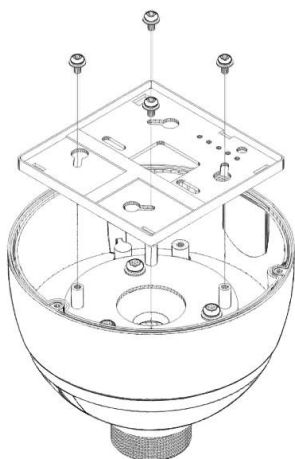


【配線式のみ】

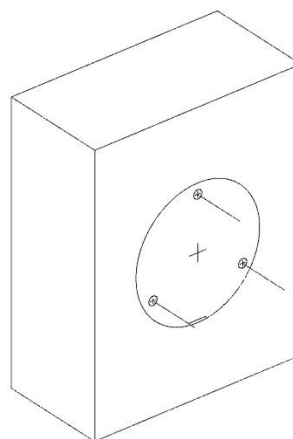


3. 防水キャップを取り付けます。

4. Matoi の取付ベースに配線を接続し、防水キャップを締めます。(取付ベースの配線については Matoi 取扱説明書を参照ください。)

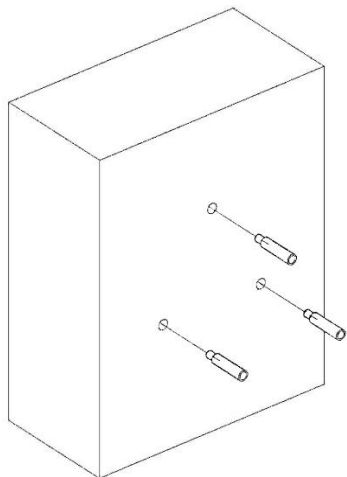


5. MATOI の台座を円鉄盤の上に固定します。  
(M4 × 10 MATOI 固定用ねじ × 4)

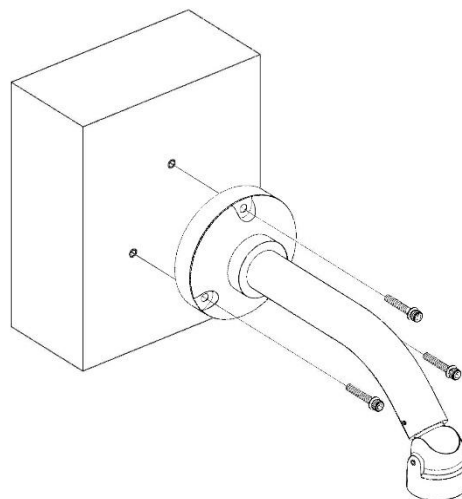


6. 取付壁面に取付位置台紙を貼って、アンカー穴を開けてください。

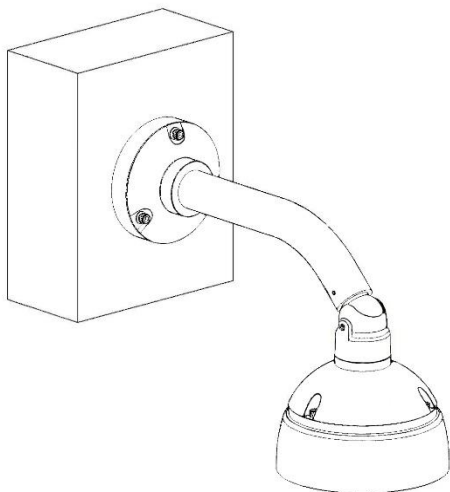
## 組み立て手順 2



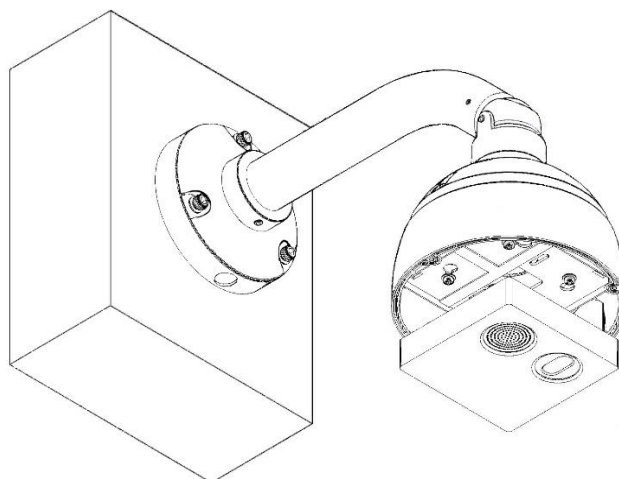
7. 開けた穴にアンカーを打ち込んで下さい。  
(1/4" アンカー×3)



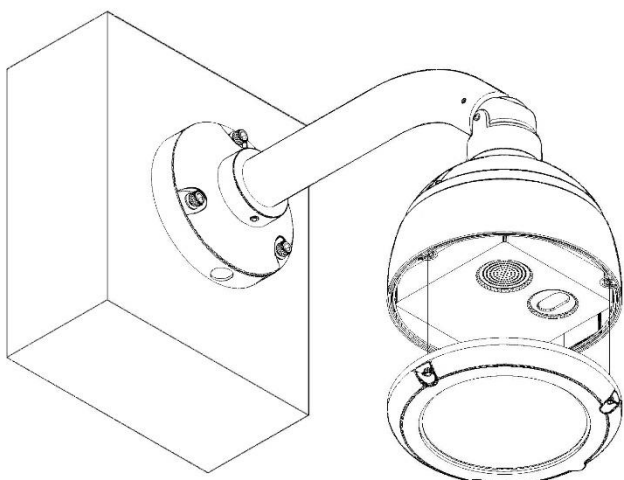
8. ブラケット取付部を壁面にねじで固定して下さい。  
(1/4" × 1 1/2" 壁面取付ねじ×3)



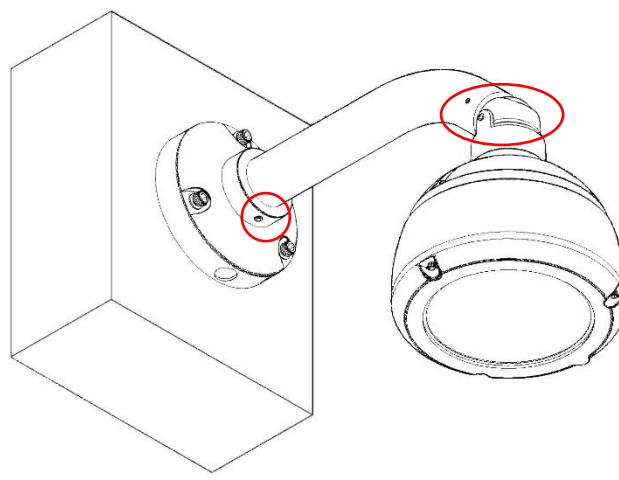
9. ハウジング部をブラケット部へ取り付けます。



10. MATOI 本体を取付台座へ取り付けます。

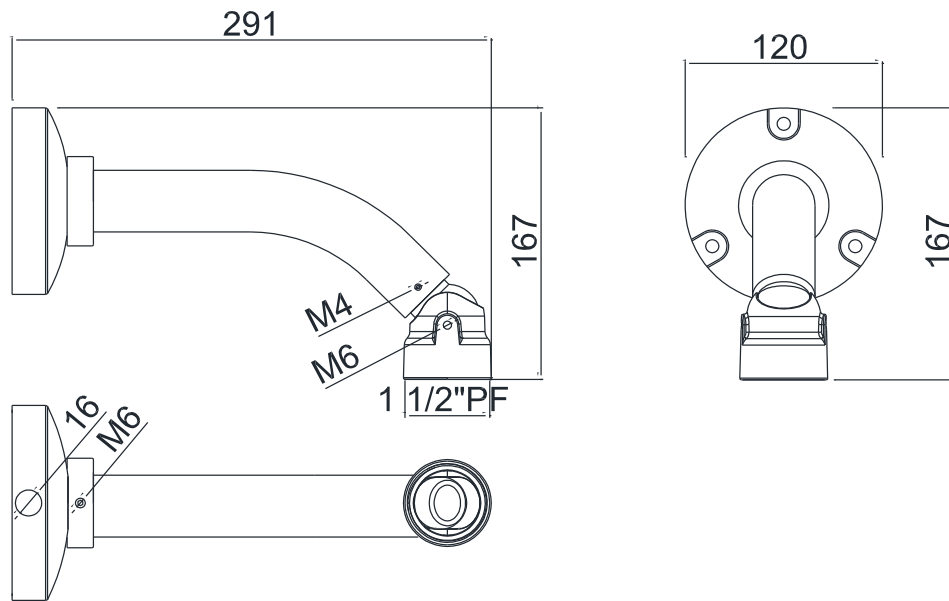


11. 落下防止線をつけ前面カバーを取り付けて下さい。  
(No.3 レンチでしっかりと締めて下さい。)

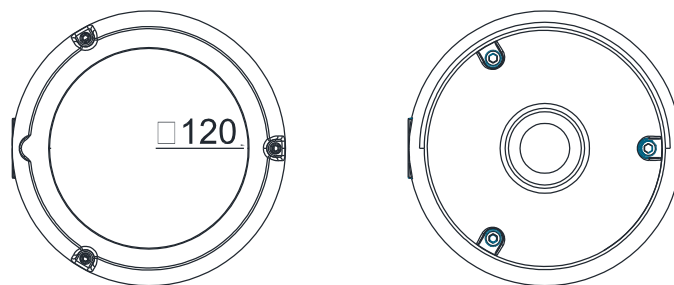
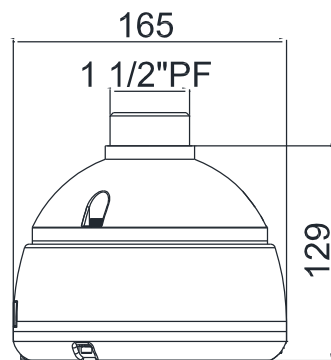


12. ハウジングの角度を調整し、レンチでしっかりと固定して、取付完了です。

# 寸法



## ブラケット本体



## ハウジング本体

## IMPORTANT SAFEGUARDS

1. **Read Instructions** – All the safety and operating instructions should be read before operating the unit.
2. **Retain Instructions** – The safety and operating instructions should be retained for future reference.
3. **Heed Warnings** – All warnings on the unit and in the operating instructions should be adhered to.
4. **Follow Instructions** – All operating user instructions should be followed.
5. **Electrical Connections** – Only a qualified electrician should make the electrical connections.
6. **Attachments** – Do not use attachments not recommended by the product manufacturer as they may cause hazards.
7. **Cable Runs** – All cable runs must be within permissible distance.
8. **Mounting** – This unit must be properly and securely mounted to a supporting structure capable of sustaining the weight of the unit.  
Accordingly:
  - a. The installation should be made by qualified installer.
  - b. The installation should be in compliance with local codes.
  - c. Care should be exercised to select suitable hardware to install the unit, taking into account both the composition of the mounting surface and the weight of the unit. Be sure to periodically examine the unit and the supporting structure to make sure that the integrity of the installation is intact. Failure to comply with the foregoing could result in the unit separating from the support structure and falling, with resultant damages or injury to anyone or anything struck by the falling unit.

## SAFETY PRECAUTIONS



CAUTION  
RISK OF  
ELECTRIC SHOCK!



CAUTION: TO REDUCE THE RISK OF  
ELECTRICAL SHOCK, DO NOT EXPOSE  
COMPONENTS TO WATER OR MOISTURE.



The lightning flash with an arrowhead symbol, within an equilateral triangle, is intended to alert the user to the presence of non-insulated “dangerous voltage” within the product’s enclosure that may be of sufficient magnitude to constitute a risk of electric shock to persons.



The exclamation point within an equilateral triangle is intended to alert the user to presence of important operating and maintenance (servicing) instructions in the literature accompanying the appliance.

## UNPACKING

Unpack carefully. Electric components can be damaged if improperly handled or dropped. If any of the products appears to have been damaged during the shipment, replace it properly in its carton and notify the shipper. Be sure to save:

1. The shipping carton and packaging material. They are the safest material in which to make future shipments of the equipment
2. The Installation and Operating Instructions.

